

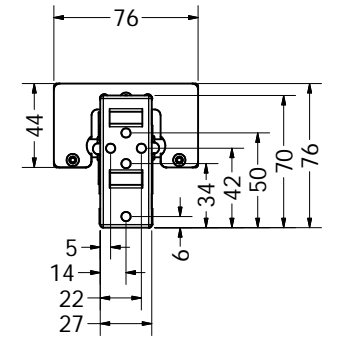
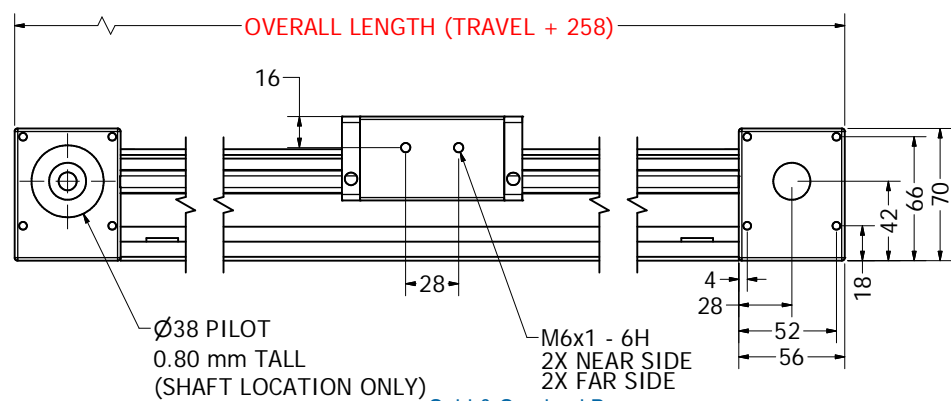
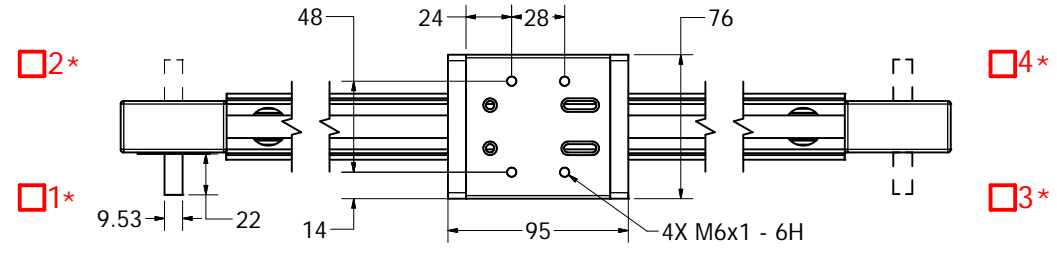
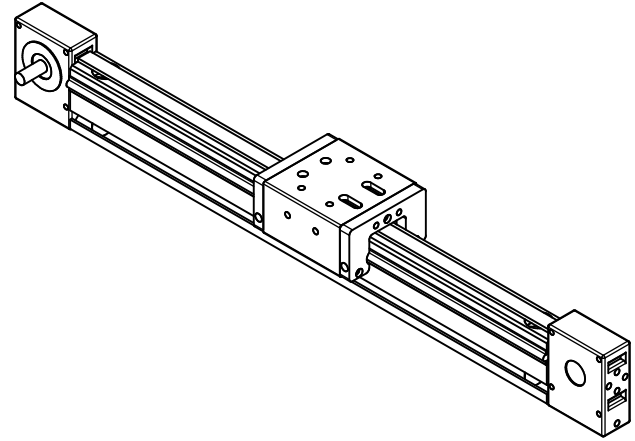
MSA - 628 - B - AB - -

STOCK TRAVEL	OVERALL LENGTH	TRAVEL
	00500	242
	00750	492
	01000	742
	01250	992
	01500	1242
	01750	1492
	02000	1742
	02250	1992
	CUSTOM TRAVEL	

ENTER
OVERALL LENGTH [mm]

SELECT
DRIVE SHAFT LOCATION *

SPECIFY TYPE
A = SINGLE SHAFTED
B = DOUBLE SHAFTED

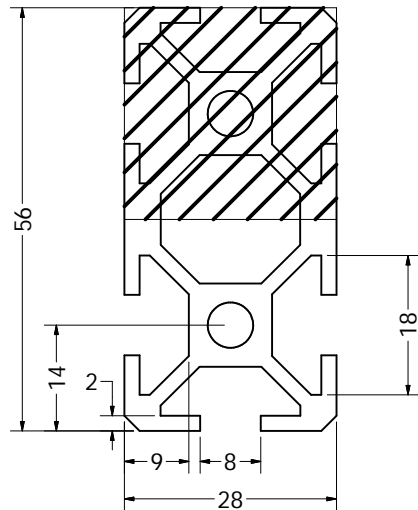


APPROVED: _____
DATE: _____

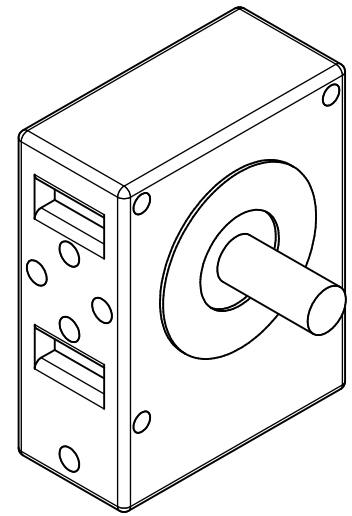
Sold & Serviced By:
ELECTROMATE
Toll Free Phone (877) SERV098
Toll Free Fax (877) SERV099
www.electromate.com
sales@electromate.com

 3RD ANGLE PROJECTION THIS DRAWING IS THE PROPERTY OF MACRON DYNAMICS INC. ANY REPRODUCTIONS SHALL BE FOR QUOTATION, MANUFACTURING, OR PURCHASING PURPOSES ONLY. RELEASE OF DRAWINGS TO OTHER CONCERNS DOES NOT CONSTITUTE LICENSING IN ANY WAY. INFORMATION CONTAINED HEREIN IS PROPRIETARY AND CONFIDENTIAL.	 MACRON DYNAMICS, INC. TITLE MACRON MINI 6-28	DWG. NO. MSA-628 REV 02
UNLESS OTHERWISE SPECIFIED ALL DIMENSIONS IN MILLIMETERS	DO NOT SCALE DRAWING SHEET 1 OF 6	

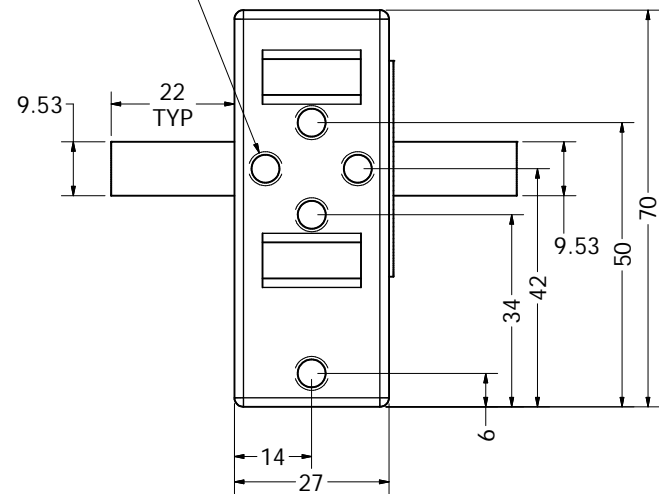
ACTUATOR BODY
MOUNTING FEATURES
T-NUT SLOTS



DOUBLE SHAFTED
PULLEY



10X M6x1.00 - 6H



Sold & Serviced By:



Toll Free Phone (877) SERV098
Toll Free Fax (877) SERV099
www.electromate.com
sales@electromate.com

<p>3RD ANGLE PROJECTION</p>	<p>MACRON DYNAMICS, INC.</p>
<p>THIS DRAWING IS THE PROPERTY OF MACRON DYNAMICS, INC. ANY REPRODUCTIONS SHALL BE FOR QUOTATION, MANUFACTURING, OR PURCHASING PURPOSES ONLY. RELEASE OF DRAWINGS TO OTHER CONCERNS DOES NOT CONSTITUTE LICENSING IN ANY WAY. INFORMATION CONTAINED HEREIN IS PROPRIETARY AND CONFIDENTIAL.</p>	<p>TITLE MACRON MINI 6-28</p>
<p>COMPUTER GENERATED DOCUMENT. MANUAL CHANGES NOT PERMITTED</p>	<p>DWG. NO. MSA-628</p>
<p>UNLESS OTHERWISE SPECIFIED ALL DIMENSIONS IN MILLIMETERS</p>	<p>REV 02</p>

DO NOT SCALE DRAWING | SHEET 2 OF 6